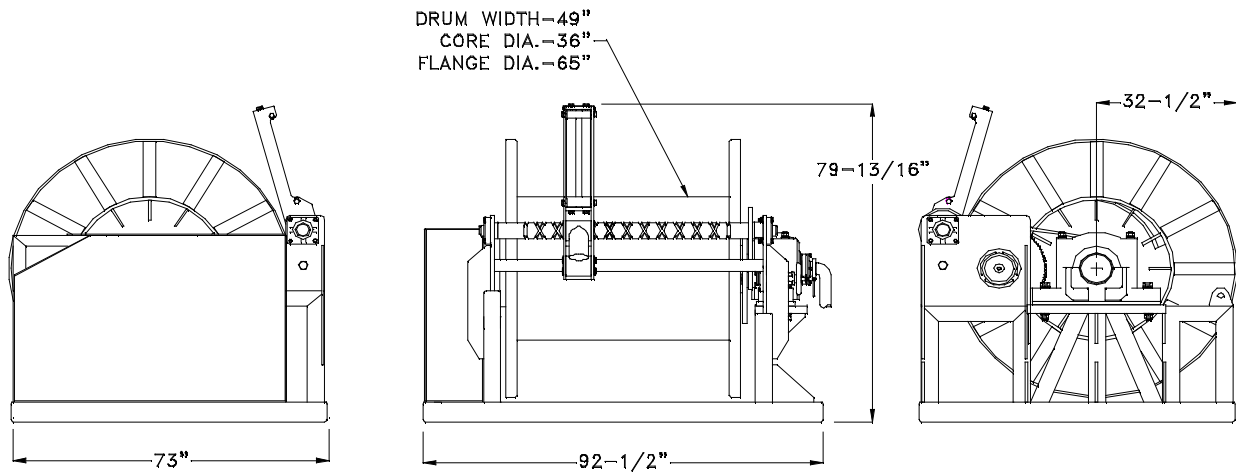


As part of our product line, Ocean Engineering & Production, Inc. offers our 3K Series Winch. Typical applications are support of ROV umbilical/tethers, towfish/survey cabling, and oceanographic sensors.

- |                       |   |
|-----------------------|---|
| <b>Specifications</b> | <ul style="list-style-type: none"> <li>✦ Horsepower: 50 hp</li> <li>✦ Line Pull: Full drum 7,000 lbs., Bare drum 12,000 lbs.</li> <li>✦ Line Speed: 56 ft. per minute (B.D.) to 96 ft. per minute (F.D.)</li> <li>✦ Dimensions: Width: 96.5", Length: 62", Height: 58" Drum core diameter: 36", Width: 49"; O.D.: 65"</li> <li>✦ Weight: ~6,000 lbs.</li> </ul>   |
| <b>Features</b>       | <ul style="list-style-type: none"> <li>✦ Level wind – diamond screw for 1.25 cable (other sizes available)</li> <li>✦ Pressure and return filters</li> <li>✦ Corrosion resistant three step marine coating process</li> <li>✦ Stainless steel fittings</li> <li>✦ Capable of accommodating a wide variety of slipping assemblies</li> <li>✦ Lightweight aluminum access/control panels</li> <li>✦ Quality robust construction</li> <li>✦ Heavy duty sealed bearings</li> <li>✦ Fail safe brake</li> </ul> |
| <b>Options</b>        | <ul style="list-style-type: none"> <li>✦ Rotating and stationary electrical termination</li> <li>✦ Cable counter system</li> <li>✦ Increased horsepower</li> <li>✦ Sliprings installed and wired</li> <li>✦ Installation of cable on drum using cable tensioning unit</li> </ul>  |



**3K Series Winch**

**For More Information Contact:**  
**Ocean Engineering & Production, Inc.**  
**5600 U.S. Highway One North, Fort Pierce, FL 34946**  
**Phone: 561-465-2400**  
**Fax: 561-468-0071**

**Jerry Neely, President**  
[neely@hboep.com](mailto:neely@hboep.com)

[www.hboep.com](http://www.hboep.com)

**Shawn Bartlett, V.P. Business Development**  
[sbartlett@hboep.com](mailto:sbartlett@hboep.com)